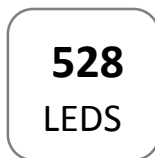


Specification

formulate	verify	approve

examine	confirmation	authorize



Item No: YS-F08COBC-X528

5000*8, 2640pcs COB Non waterproof White color Constant voltage 24VDC

Flexible Strip light

Picture:



Features:

- ⊙ No Spot, No Shadow, Soft light
- ⊙ Beam Angle: can meet 180°
- ⊙ Antistatic rating(MIL-STD-883E): HBM Level 2 (2000~4000V)
- ⊙ Easy to install and maintain. It can be bent freely, with adhesive at back, and the daily maintenance is convenient; This product don't contain any hazardous substances and RoHS Standard compliant.
- ⊙ This product don't contain any hazardous substances and RoHS Standard compliant.

Application:

- ⊙ Decorative lighting, signage, advertising signs, booths, etc.



Warranty:

- ⊙ 3years warranty:

Parameters:

Item No.,	LED Color	CCT (K) Wavelength h(nm)	CRI Ra	Color tolerance SDCM	Bean Angle (°)	Luminous Flux (lm/m)	Lighting effect (lm/W)	Input Voltage (VDC)	Current (mA)	Power(W)
YS-F08COB C-X528	Warm white	3000K	≥90	≤5	180	800	80	24	416	10W Or 5W
	Neutral white	4000K	≥90	≤5		850	85			
	Pure white	6500K	≥90	≤5		820	82			

	Red	620-625	/	/	180	200	20	24	416	10
	Green	525-530	/	/		600	60			
	Blue	465-470	/	/		150	15			

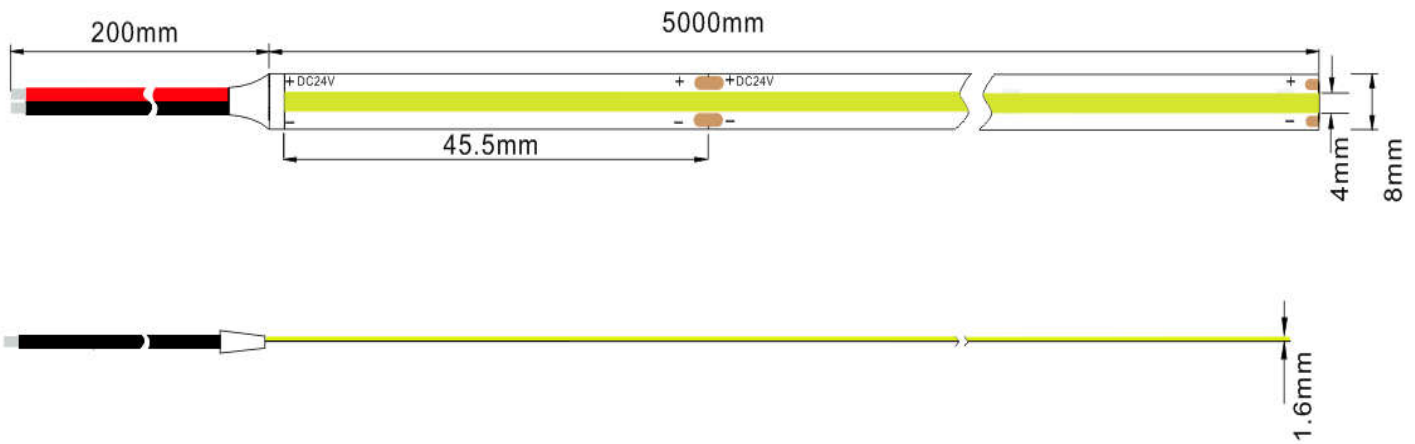
Other parameters:

Item No.,	IP Rate	Working temperature (°C)	Storage temperature (°C)	Standard Size (mm)	Max connection (m)	LED Qty (pcs/m)	Weight (g/m)
YS-F08COBC-X528	IP20	-25~+45	-25~+45	5000*8	5	528	13

Remark:

- (1) Test environment temperature is 25±2°C (normal temperature);
- (2) The above data is typical, the actual parameters of the product may differ from the typical data; the data is subject to change without notice
- (3) The above "-" indicates that the parameters of this product are not required at the moment;

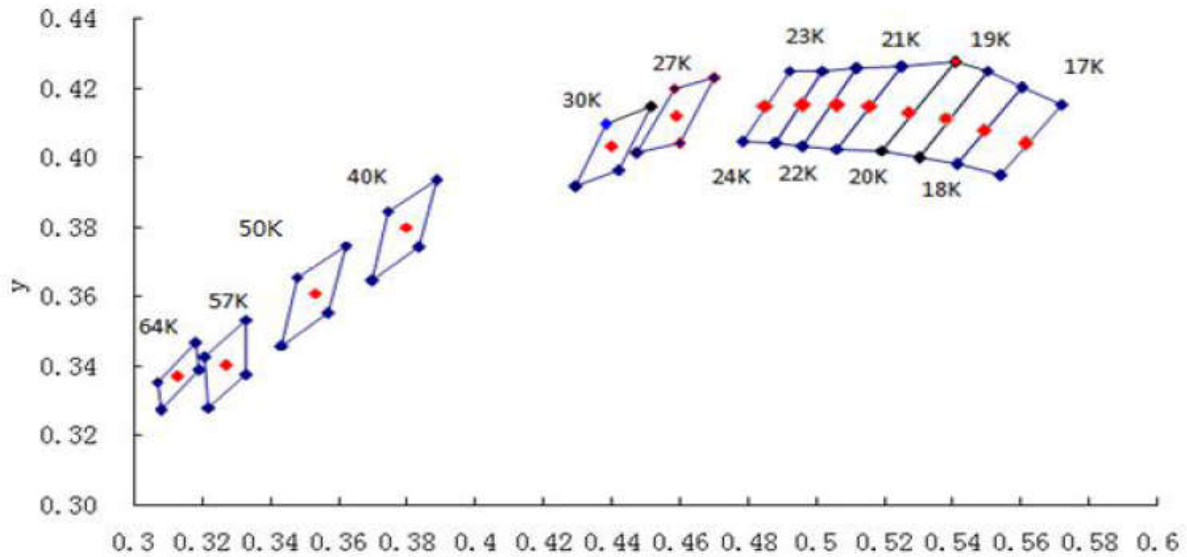
Dimension(Unit:mm):



YS-F08COBC-X528

Color coordinate distribution range:

Spectroscopic target Drawing (SDCM ≤ 5)

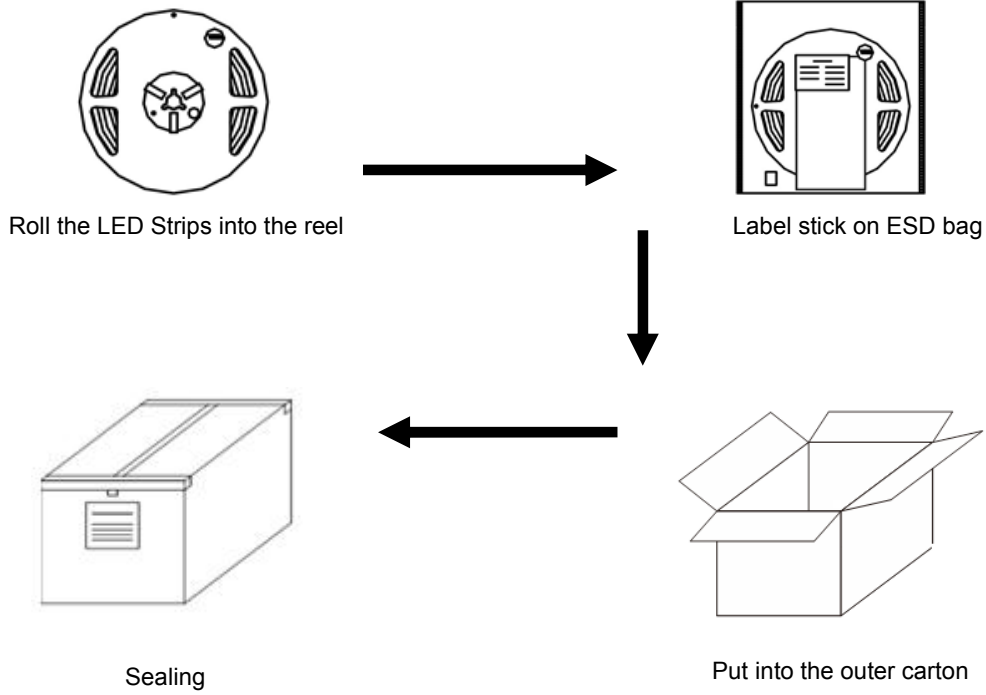


Packaging:

Item No.,	Qty per Rolls(m)	Qty per carton (m)	Total Weight (Kg)	Dimension of outer carton (mm)		
				Length	Width	Height
YS-F08COBC-X528	5	300	7.5	520	300	220

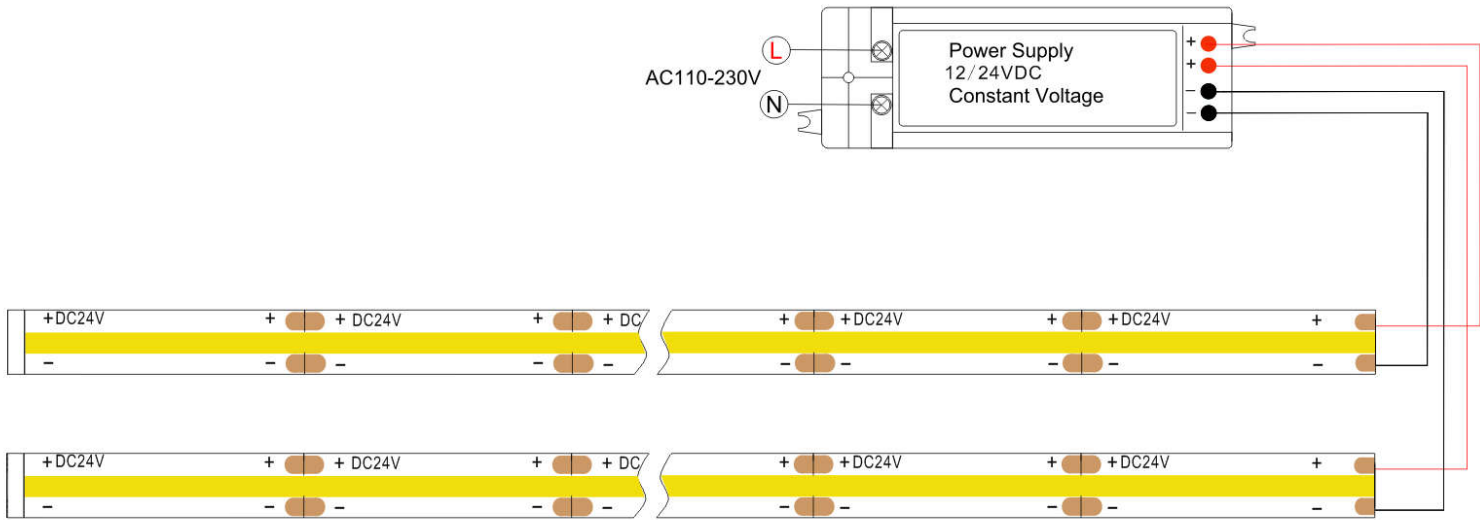
Remark: The above packing quantity and weight only refer to the packing method as shown in the diagram. When other packing methods are adopted, there will be differences in packing quantity and weight. Please subject to the actual product.

Packaging drawing:



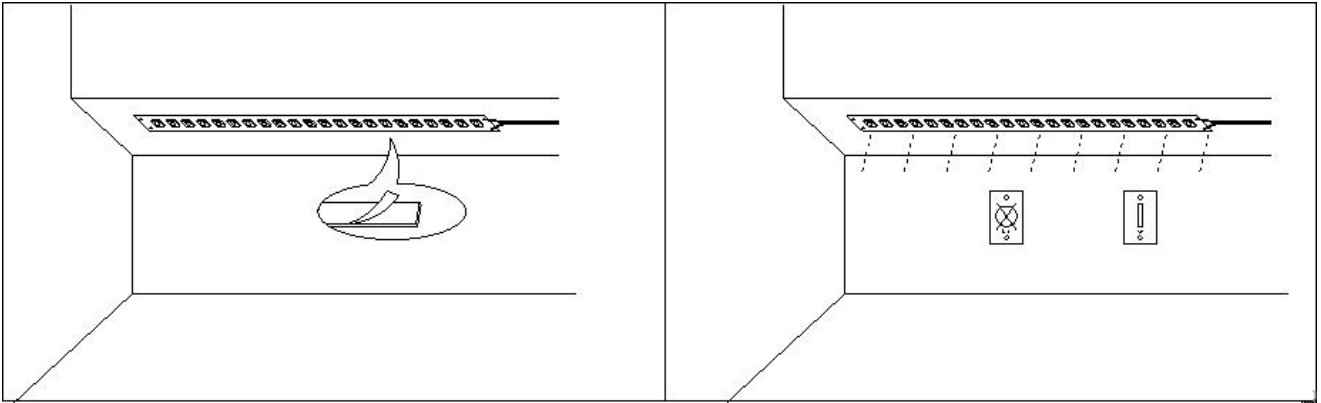
Installation:

(Remark: The positive and negative wire need to be correctly connected to the positive and negative terminals of the power supply output.)



Red wire is positive and black wire is negative

Installation step instructions and precautions:



- Clean up debris on the mounting surface to ensure surface cleaning
- Measure the length of the LED strip to be installed, and cut the extra lamp strip along the scissors marking line.
- When attach the led strip, the paper of back side that is peeled off slowly and the stick it meanwhile. It is forbidden to tear off all the release paper at one time, so as to prevent the strip from sticking to each other.
- After the led strip is installed, the light strip is connected to the power output. Insulate, short-circuit and anti-corrosion treatment at the terminals and ends.

Precautions:

1. Pay attention to protect the LED light strip to avoid touching the hard objects in the light-emitting area.
2. Please weld in 24H after unpacked, to avoid welding effect on the welding point. Please use vacuum seal the products that have not been used after opening.
3. Avoid direct contact of high-temperature objects in the light-emitting area of the lamp, and the instantaneous contact temperature of the surface of the light-emitting area should be less than 210 °C.
4. The temperature of the soldering iron should be less than 400° when soldering, and the soldering time of single pad should be controlled within 3s.
5. It is strictly forbidden to twist the lamp with short distance. The single lamp has a maximum twist angle of 720°; the bend diameter at any position needs to be greater than 1cm.



Common faults of products and troubleshooting methods:

Fault phenomenon	potential causes	Solution
All LEDs are off	1、 The power is off.	power transmission
	2、 Automatic protection of the power supply after the output of the switching power supply is open or shorted.	trouble shooting and recovering the power supply
	3、 LED Strips with power supply terminal polarity reverse	Check the wire connection to ensure correct connection of positive and negative wire
Some of the LEDs are off	1、 Part of the switching power supply is not powered	Check the power supply system and troubleshoot
	2、 Part of the electricity supply line error	
	3、 Partial led strips with reverse polarity connection	Correct connection
LED brightness is not the same or the brightness is not enough	1、 Power overload	Replace the power supply with a larger power according to the load
	2、 Switching power supply line or circuit loss is too large	Ensure that the operating voltage of the led strips is within $\pm 5\%$ of the rated voltage 1. Cut the length of the wire between the strip and the power cord or use wires with larger diameter; 2. Ensure that the number of each led strip is less than or equal to the maximum allowable cascade ;And make each strip with a similar connection.
	3、 Over connection of LED Strips	Adjust the number of strips for each power supply and to meet the maximum connection requirements for each power supply.
LED flashing	1、 Poor contact at the wiring point	Find out the bad points and troubleshoot.
	2、 Switching power supply failure	Replace the switching power supply

Statement:

- ⊙ If the external cord of the product is damaged, it should be replaced by the manufacturer or its service agent or a similarly qualified person to avoid danger.
- ⊙ For the specific installation and precautions of the product, please refer to the product manual.
- ⊙ The data above in this specification is based on standard products. Actual shipments may be a little difference. Please refer to the actual product.
- ⊙ All product drawings in this specification are schematic diagrams, and actual shipments may be a little difference. Please refer to the actual product..